

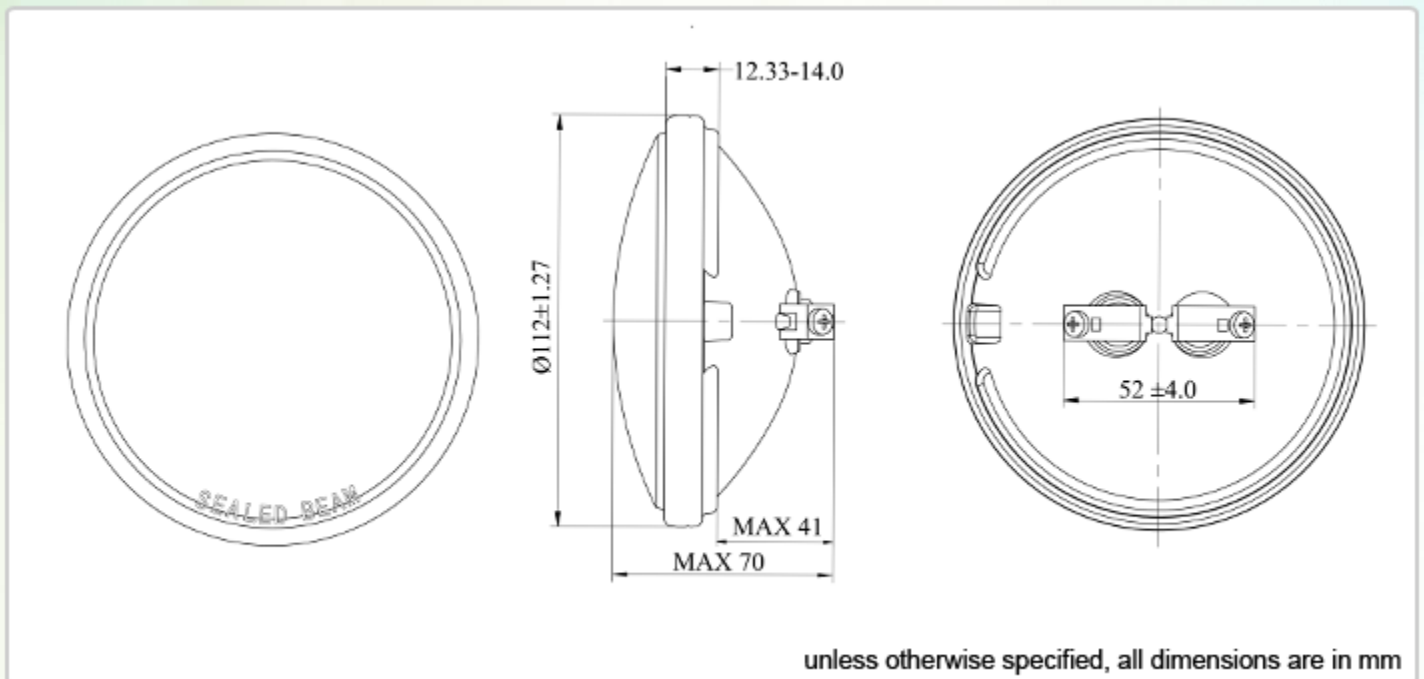
PAR36 SEALED BEAM

INCANDESCENT LAMP

13V 100W

WAMCO PART NO.		ENVELOPE SIZE			BASE TYPE	RATING		FILAMENT SHAPE	
4509		PAR36			CR-2	13V 100W		C-6	
TEST VOLTS		CURRENT (A)			INITIAL MAX BEAM C.P.	BEAM SPREAD		LIFE HRS	
13V		MIN	NOM	MAX	110,000	HORIZONTAL	VERTICAL	25	
		6.92	7.69	8.46		11°	6°		

DIMENSIONAL CHARACTERISTICS



NOTES

1. Bulb shall be clean with no foreign materials or glass chips inside.
2. Filament shape must be uniform with coils evenly spaced and free of twist or shorting.
3. Lamps shall be capable of operation and storage at temperatures from -30° to $+95^{\circ}\text{C}$ without degradation.
4. Lamp shall be marked with lamp part number 4509, 13V, 100W, WL and lot code.
5. CR-2 Industry standard two screw terminals with removable screws.
6. ANSI trade number 4509